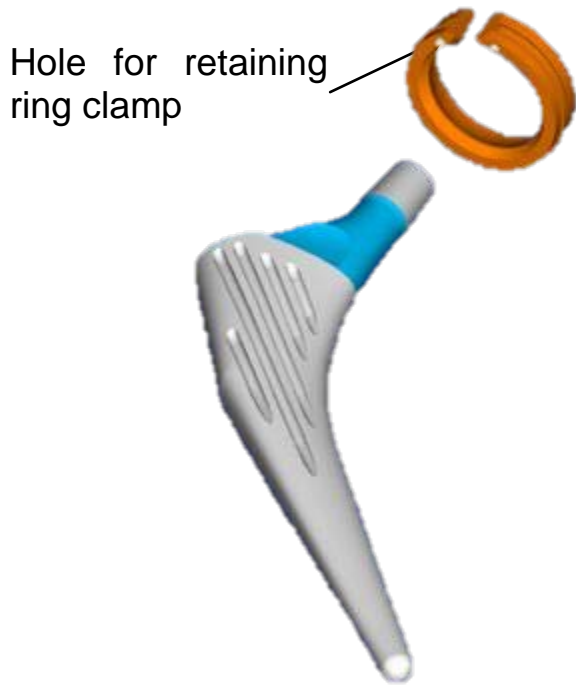


# Surgical Technique

---



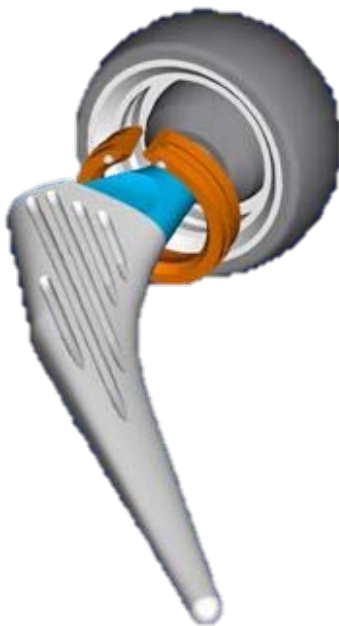
*Install retaining ring*



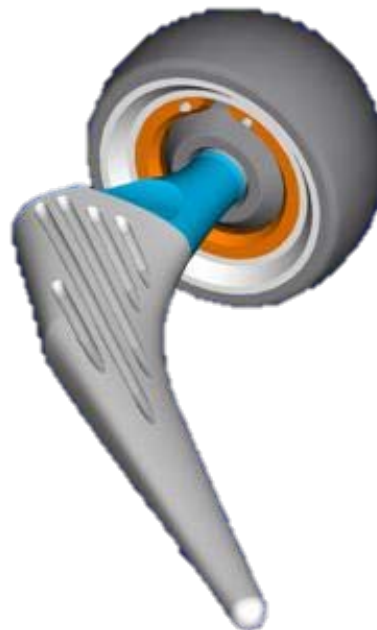
*Install femoral head*



*Reduce head into cup*



*Set retaining ring into place*



# Surgical Technique - SPHERIC<sup>®</sup> Bipolar Cup

- **Preoperative planning**
  - Use the provided templates to determine the appropriate implant size.
- **Approach**
  - This cup can be implanted through any of the standard surgical approaches used for hip surgery.
- **Femoral neck osteotomy**
  - After performing the arthrotomy, expose the femoral neck. Cut the femoral neck and then extract the femoral head.
- **Femoral head measurement**
  - Measure the extracted femoral head and estimate the bipolar cup diameter needed. If the measurement falls between two sizes, select the smaller one.
- **Neck length adjustment**
  - Follow the surgical technique provided with the femoral stem being used.
- **Trials**
  - Use the trial cups and universal handle to verify if the SPHERIC<sup>®</sup> cup size that was chosen based on femoral head measurement is correct. Select the size that best fills the acetabulum.
- **Neck and head size selection**
  - Use the selected SPHERIC<sup>®</sup> cup to select the desired head diameter: 22.2 mm or 28 mm.
  - Place the cup on the trial neck for femoral broaches and reduce the joint.
  - Assess the stability and mobility of the joint. If the neck is not the correct length, use a different neck length and repeat the trials.

# Surgical Technique - SPHERIC<sup>®</sup> Bipolar Cup

- **Final implants**

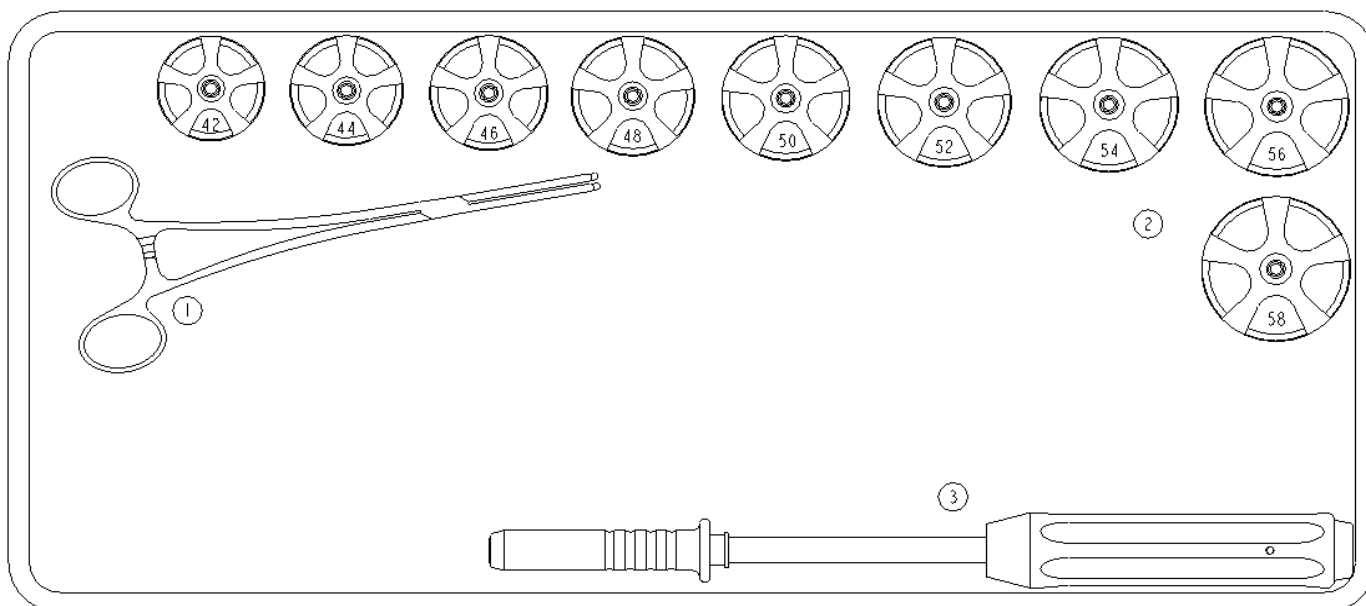
- Once the selected femoral stem has been implanted, place the retaining ring around the neck.

**NOTE:** The two holes on the ring must face the femur.

- Install the selected femoral head.
- Install the SPHERIC<sup>®</sup> cup onto the femoral head and insert the retaining ring into the cup with the clamp. The small hooks at the tips of the clamp are used to securely hold the ring during insertion.

Check the hold of the cup and then reduce the joint.

# Instrumentation set



Item	Name	Part number	Qty
1	Clamp for retaining ring	2-0104600	1
2	Trial cup – Size 42	2-0100142	1
2	Trial cup – Size 44	2-0100144	1
2	Trial cup – Size 46	2-0100146	1
2	Trial cup – Size 48	2-0100148	1
2	Trial cup – Size 50	2-0100150	1
2	Trial cup – Size 52	2-0100152	1
2	Trial cup – Size 54	2-0100154	1
2	Trial cup – Size 56	2-0100156	1
2	Trial cup – Size 58	2-0100158	1
3	Universal Handle	2-0101000	1







Customer Service – France:

Porte du Grand Lyon

01700 Neyron, France

Phone: +33 (0)4 37 85 19 19

Fax: +33 (0)4 37 85 19 18

Email: [amplitude@amplitude-ortho.com](mailto:amplitude@amplitude-ortho.com)

Customer Service – Export:

11, cours Jacques Offenbach. Zone Mozart 2

26000 Valence, France

Phone: +33 (0)4 75 41 91 69

Fax: +33 (0)4 75 41 87 42

Website: [www.amplitude-ortho.com](http://www.amplitude-ortho.com)