

**EVOK®**

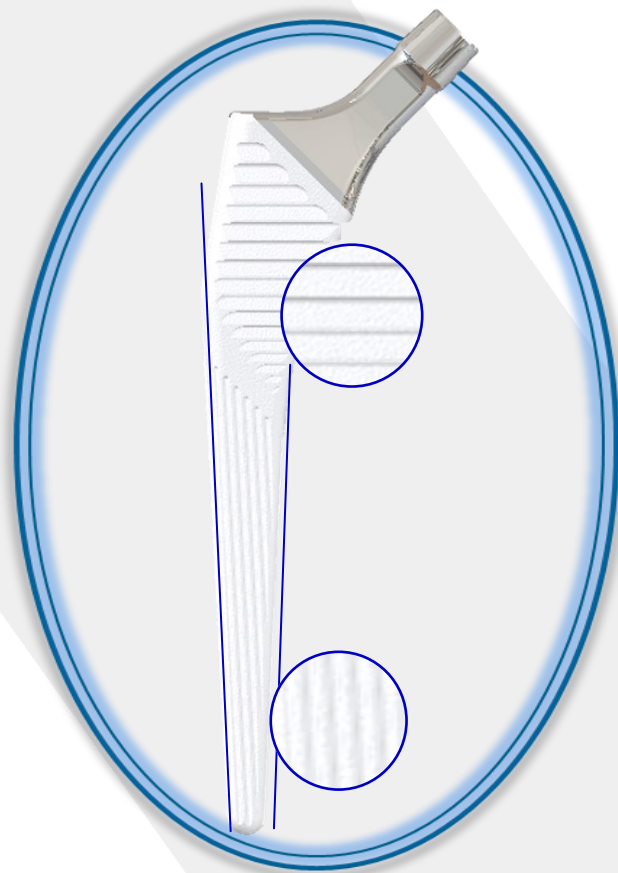
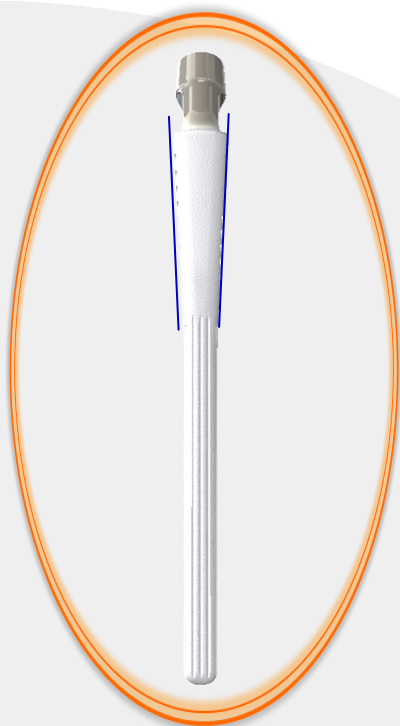
Straight Cementless  
Femoral Stem



**AMPLITUDE®**

# EVOK<sup>®</sup> Main Features

- **Straight stem**  
Cementless version
- Three versions: **Standard, Lateralized, High Offset**  
**Collared** stems available for Standard and Lateralized versions
- Double wedge taper stem
- **Quadrangular** cross-section with rounded edges



- Reduced lateral flange for ease of insertion
- Proximal horizontal grooves and distal vertical grooves increasing contact area with bone.
- **Material:** Titanium alloy TA6V
- **Coating:** HA 155  $\mu\text{m}$   
Full HA coating on intra-medullary part

- **CCD angles:**
  - Standard version: 135°
  - High Offset version: 135°
  - Lateralized version: evolves from 126,2° to 129,9°
- **Flat surface on under-taper area:** +10° range of motion compared to a cylindrical shape
- Collar starting in the distal internal axis of stem
- **12/14 taper**



8 to 12 sizes depending on version

**Standard stem:**

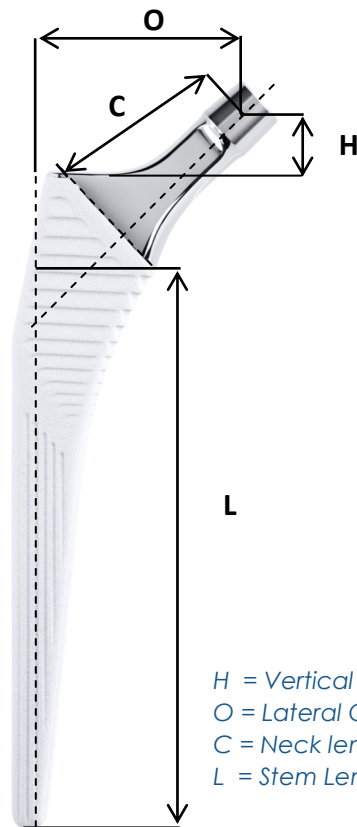
L = 91 to 171 mm      H = 35,9 mm  
 C = 38,5 mm          O = 37,5 to 45,9 mm  
 CCD angle = 135°

**Lateralized stem:**

L = 96 to 171 mm      H = 31,4 to 35,9 mm  
 C = 41,3 to 45,1 mm    O = 45,9 to 54,9 mm  
 CCD angle = 126,2° to 129,9°

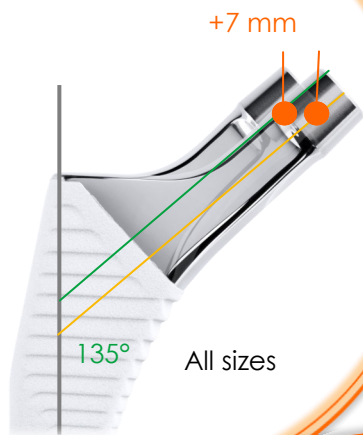
**High Offset stem:**

L = 111 to 151 mm      H = 35,9 mm  
 C = 43,2 mm            O = 45,8 to 50,3 mm  
 CCD angle = 135°

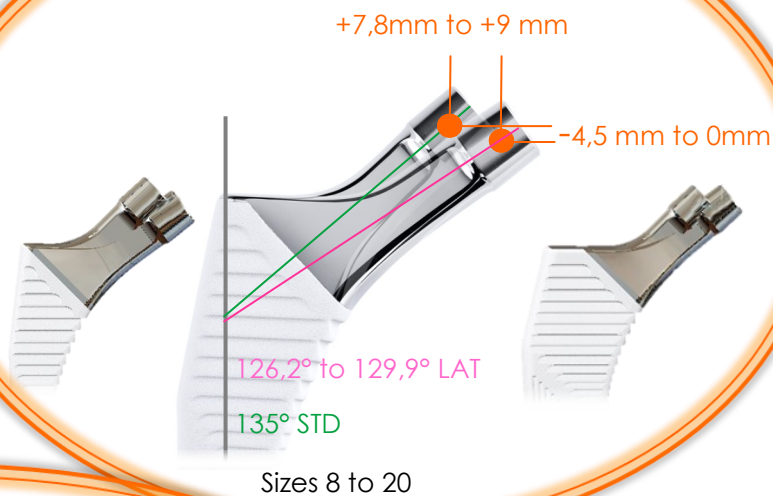


Links between options:

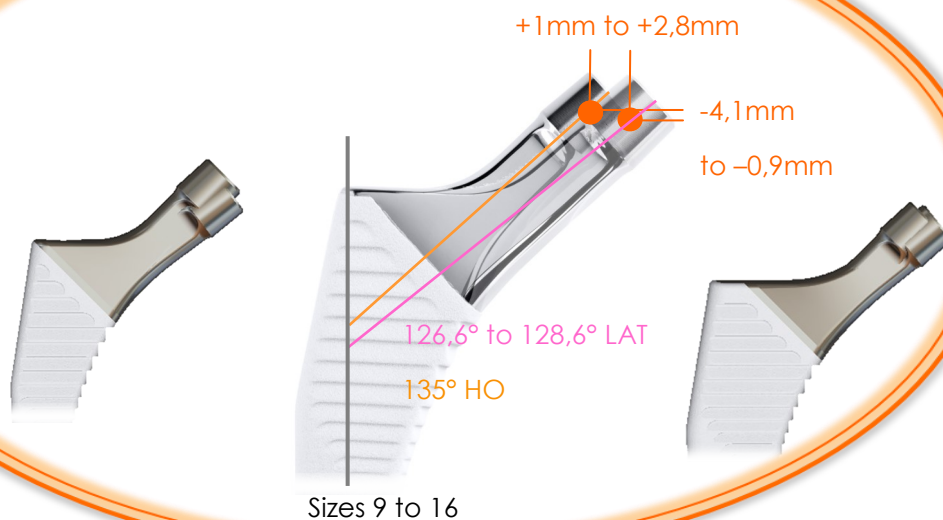
**Standard versus High Offset**



**Standard versus Lateralized**



**High Offset versus Lateralized**



## EVOK® Standard

Femoral stem EVOK® 12/14 standard Collarless	1-0192007	Femoral stem EVOK® 12/14 standard Collared	1-0192107
Femoral stem EVOK® 12/14 standard Collarless	1-0192008	Femoral stem EVOK® 12/14 standard Collared	1-0192108
Femoral stem EVOK® 12/14 standard Collarless	1-0192009	Femoral stem EVOK® 12/14 standard Collared	1-0192109
Femoral stem EVOK® 12/14 standard Collarless	1-0192010	Femoral stem EVOK® 12/14 standard Collared	1-0192110
Femoral stem EVOK® 12/14 standard Collarless	1-0192011	Femoral stem EVOK® 12/14 standard Collared	1-0192111
Femoral stem EVOK® 12/14 standard Collarless	1-0192012	Femoral stem EVOK® 12/14 standard Collared	1-0192112
Femoral stem EVOK® 12/14 standard Collarless	1-0192013	Femoral stem EVOK® 12/14 standard Collared	1-0192113
Femoral stem EVOK® 12/14 standard Collarless	1-0192014	Femoral stem EVOK® 12/14 standard Collared	1-0192114
Femoral stem EVOK® 12/14 standard Collarless	1-0192015	Femoral stem EVOK® 12/14 standard Collared	1-0192115
Femoral stem EVOK® 12/14 standard Collarless	1-0192016	Femoral stem EVOK® 12/14 standard Collared	1-0192116
Femoral stem EVOK® 12/14 standard Collarless	1-0192018	Femoral stem EVOK® 12/14 standard Collared	1-0192118
Femoral stem EVOK® 12/14 standard Collarless	1-0192020	Femoral stem EVOK® 12/14 standard Collared	1-0192120

## EVOK® Lateralized

Femoral stem EVOK® 12/14 Lateralized Collarless	1-0192208	Femoral stem EVOK® 12/14 Lateralized Collared	1-0192308
Femoral stem EVOK® 12/14 Lateralized Collarless	1-0192209	Femoral stem EVOK® 12/14 Lateralized Collared	1-0192309
Femoral stem EVOK® 12/14 Lateralized Collarless	1-0192210	Femoral stem EVOK® 12/14 Lateralized Collared	1-0192310
Femoral stem EVOK® 12/14 Lateralized Collarless	1-0192211	Femoral stem EVOK® 12/14 Lateralized Collared	1-0192311
Femoral stem EVOK® 12/14 Lateralized Collarless	1-0192212	Femoral stem EVOK® 12/14 Lateralized Collared	1-0192312
Femoral stem EVOK® 12/14 Lateralized Collarless	1-0192213	Femoral stem EVOK® 12/14 Lateralized Collared	1-0192313
Femoral stem EVOK® 12/14 Lateralized Collarless	1-0192214	Femoral stem EVOK® 12/14 Lateralized Collared	1-0192314
Femoral stem EVOK® 12/14 Lateralized Collarless	1-0192215	Femoral stem EVOK® 12/14 Lateralized Collared	1-0192315
Femoral stem EVOK® 12/14 Lateralized Collarless	1-0192216	Femoral stem EVOK® 12/14 Lateralized Collared	1-0192316
Femoral stem EVOK® 12/14 Lateralized Collarless	1-0192218	Femoral stem EVOK® 12/14 Lateralized Collared	1-0192318
Femoral stem EVOK® 12/14 Lateralized Collarless	1-0192220	Femoral stem EVOK® 12/14 Lateralized Collared	1-0192320

## EVOK® High Offset

Femoral stem EVOK® 12/14 high offset Collarless	1-0194709	Femoral stem EVOK® 12/14 high offset Collarless	1-0194713
Femoral stem EVOK® 12/14 high offset Collarless	1-0194710	Femoral stem EVOK® 12/14 high offset Collarless	1-0194714
Femoral stem EVOK® 12/14 high offset Collarless	1-0194711	Femoral stem EVOK® 12/14 high offset Collarless	1-0194715
Femoral stem EVOK® 12/14 high offset Collarless	1-0194712	Femoral stem EVOK® 12/14 high offset Collarless	1-0194716

	Short neck	Medium neck	Long neck	Extra-long neck
Metallic femoral head M30NW—Taper 12/14—Ø22,2 mm	1-0190701	1-0190702	1-0190703	-
Metallic femoral head M30NW—Taper 12/14—Ø28 mm	1-0190711	1-0190712	1-0190713	1-0190714
Metallic femoral head M30NW—Taper 12/14—Ø32 mm	1-0190721	1-0190722	1-0190723	1-0190724
Ceramic femoral head —Taper 12/14—Ø28 mm	1-0190911	1-0190912	1-0190913	-
Ceramic femoral head —Taper 12/14—Ø32 mm	1-0190921	1-0190922	1-0190923	1-0190924
Ceramic femoral head —Taper 12/14—Ø36 mm	1-0190931	1-0190932	1-0190933	1-0190934

Creation date : September 2017 – Legal manufacturer : AMPLITUDE, 11 cours Jacques Offenbach, 26000 Valence, France - Destination : replacement of hip joint in association with an acetabular component

### Service Clients-France :

Porte du Grand Lyon,  
01700 Neyron, France  
Tel. : +33 (0)4 37 85 19 19  
Fax : +33 (0)4 37 85 19 18

### Customer Service-Export :

11, cours Jacques Offenbach. Zone Mozart 2,  
26000 Valence, France  
Tel. : +33 (0)4 75 41 87 41  
Fax : +33 (0)4 75 41 87 42

E-mail : [amplitude@amplitude-ortho.com](mailto:amplitude@amplitude-ortho.com)

Internet : [www.amplitude-ortho.com](http://www.amplitude-ortho.com)