

## UNI SCORE®

Unicompartmental Knee System  
Cemented or cementless



### Available instrumentation:

Standard instrumentation

Computer-assisted surgery (AMPLIVISION® system)

Patient-specific tibial resection guide (i.M.A.G.E.® system)

# UNI SCORE<sup>®</sup> Key features

## STANDARD INSTRUMENTATION CONSISTS OF 2 TRAYS

### ○ Simplified extramedullary tibial alignment for standard surgery technique

**Fast, simple** assembly:

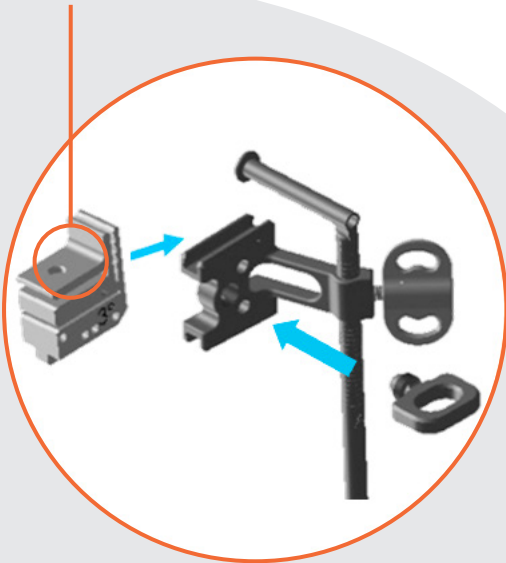
#### Resection guide support:

Choice of preoperative **varus**: 0°, 2° and 4°  
Adjustment of the resection guide's ML position



#### Tibial resection guides:

Choice of preoperative **posterior slope**: 0°, 3° and 6° (9° optional)



#### Stylus:

Choice of **resection height** :  
4 mm and 6 mm  
(8 mm optional)



Fine adjustment of resection height

## PATIENT-SPECIFIC TIBIAL RESECTION GUIDE (I.M.A.G.E.<sup>®</sup> system)

- Single-use resection guide tailored to the patient's anatomy
- Intraoperative verification of tibial axis
- Available for medial UNI SCORE<sup>®</sup> implant
- Available for CT scan or MRI scan
- Femoral cuts made using standard or navigation instrumentation



## COMPUTER-ASSISTED SURGERY (AMPLIVISION<sup>®</sup> SYSTEM)

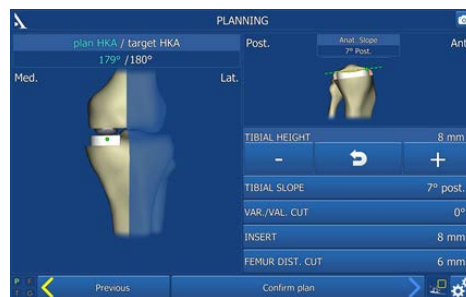
**Simplified** acquisition protocol

**Fast** access to the preoperative plan

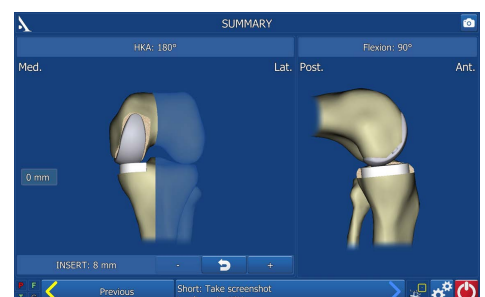
Option to use navigation for **tibial cut only**



### Tibial cut software: 3 steps



### Tibial and femoral cut software: 3 steps



### Mechanical/navigation instrumentation consists of 3 trays:

- Tibial and femoral resection set
- Preparation and tibial/femoral trial set
- Navigation tools

# Product codes



Référence : FT.CB.105/1.0

## UNI SCORE® INSTRUMENTATION SET

### Navigation

UNI SCORE® Instrumentation  
2-0299918

AMPLIVISION® Navigation set  
2-0299923

Compatible with  
i.M.A.G.E.® system

CT Scan Version  
non sterile 9-0201130

MRI Version  
non sterile 9-0201110

### Conventional

UNI SCORE® Instrumentation  
2-0299993

Date created: May 2018 – Manufacturer: AMPLITUDE, 11 cours Jacques Offenbach, 26000 Valence (France) – Intended use: instruments used to implant the UNI SCORE® knee system – MD class: I and IIa – Reimbursable by health insurance organisations in certain situations: terms can be reviewed on ameli.fr – Indications and recommended use: please read the instructions on the product's labels and leaflets.

#### Customer Service – France:

Porte du Grand Lyon,  
01700 Neyron, France  
Tel. : +33 (0)4 37 85 19 19  
Fax : +33 (0)4 37 85 19 18  
E-mail : [amplitude@amplitude-ortho.com](mailto:amplitude@amplitude-ortho.com)

#### Customer Service - Export:

11, cours Jacques Offenbach. Zone Mozart 2  
26000 Valence, France  
Tel. : +33 (0)4 75 41 87 41  
Fax : +33 (0)4 75 41 87 42  
E-mail : [amplitude@amplitude-ortho.com](mailto:amplitude@amplitude-ortho.com)

Website: [www.amplitude-ortho.com](http://www.amplitude-ortho.com)