



Surgical Technique

Conventional instrumentation



Table of contents

UNI SCORE - Unicompartmental Knee System

Introduction	4
Implant UNI SCORE	5
Overview of the surgical technique	10
Pre-operative planning	13
Etape 1 : Extra-medullary guide	14
Etape 2 : Tibial resections	18
Etape 3 : Extension and flexion gaps	19
Etape 4 : Femoral resections	20
Etape 5 : Trial implants and joint testing	22
Etape 6 : Femoral and tibial preparation	22
Etape 7 : Cementless tibial baseplate for fixed bearing insert	23
Etape 8 : Full-PE tibial implant	25
Etape 9 : Femoral component	26
Appendix A	27
Extraction	29
Instrumentation	30

Introduction

- This surgical technique is related to the UNI SCORE Conventional/navigated instrument set which allows the UNI SCORE Unicompartmental Knee System to be fitted.
- The instrumentation can be used:
 - in conventional (mechanical) version
 - in Computer-Assisted Surgery version (by adding the AMPLIVISION Navigation Set for UNI SCORE)
 - with the i.M.A.G.E. Patient Specific Instrumentation



Implant UNI SCORE

- ▶ The UNI SCORE Unicompartmental Knee System consists of a cemented or cementless femoral component that is compatible with all the associated tibial baseplates :

- ▶ Cementless tibial baseplate for fixed insert with peg (optional screw fixation)



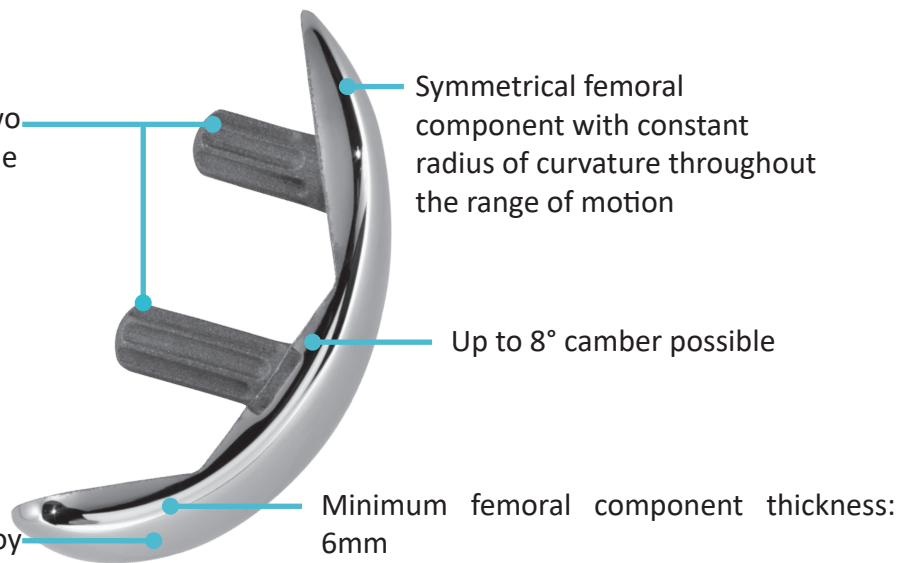
- ▶ Full-PE (polyethylene) tibial implant

Implant UNI SCORE

Femoral component

Primary stability ensured by two parallel pegs forming a 65° angle with the distal cut (prevents implant expulsion)

Made of Cobalt Chromium alloy (CoCrMo) for the cemented version and associated with double coating (80 µm plasma-sprayed titanium and 80 µm hydroxyapatite (HAP) for cementless version

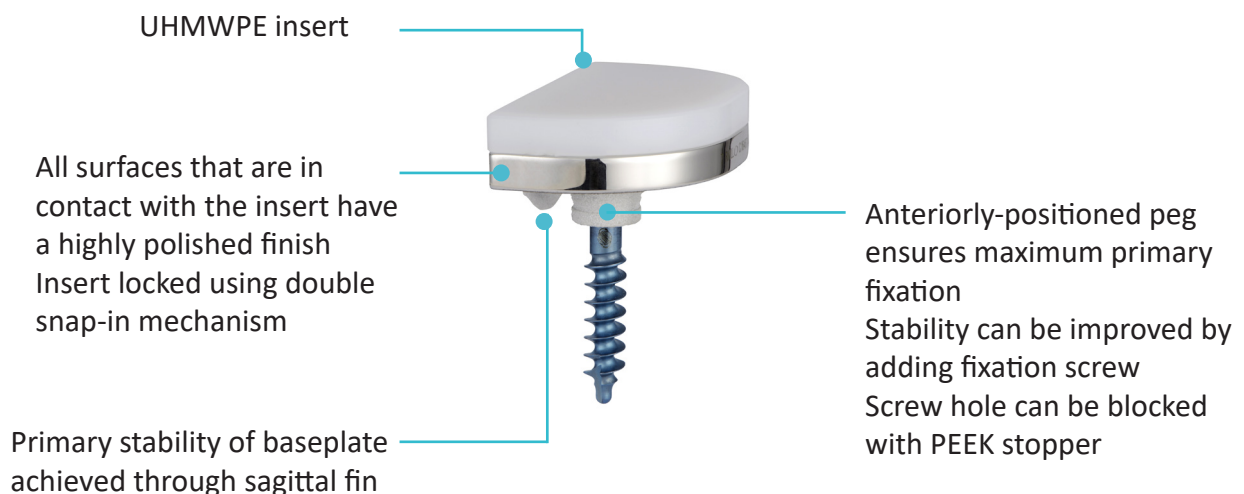


Tibial components

Tibial baseplates for fixed bearing insert :

Cementless asymmetrical tibial baseplate for fixed bearing insert (RM/LL and LM/RL (80 µm plasma-sprayed titanium + 80 µm HAP)

Material: Cobalt Chromium alloy (CoCrMo)

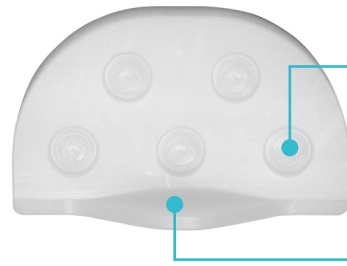


Implant UNI SCORE

Tibial component

Full-PE tibial implant :

The full-PE tibial implant is symmetrical
Flat bearing surface



Underside of implant has 5 hollowed-out areas or cement, which ensures primary stability along with sagittal fin

Product line

Femoral components :

- Cemented: 7 sizes (from 1 to 7)
- Cementless : 7 sizes (from 1 à 7)

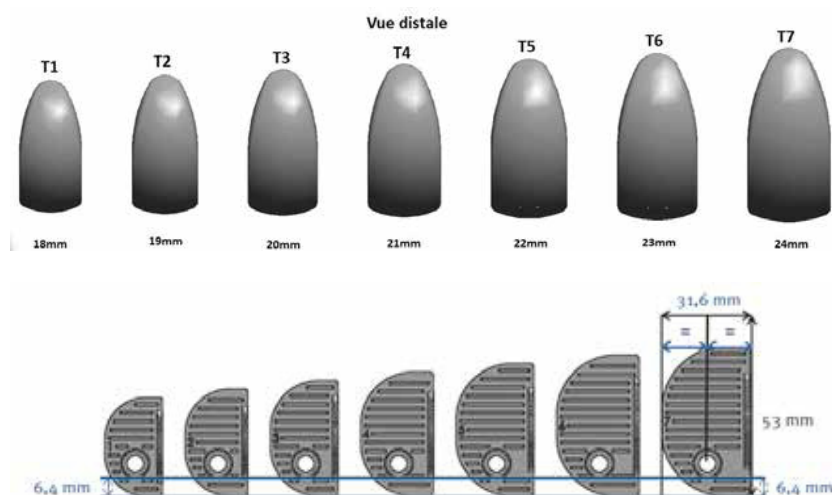
Tibial components :

Implants	Tibial baseplates	Inserts
UNI SCORE Tibial baseplate for fixed insert Cementless	7 sizes (1 to 7) RM/LL 7 sizes (1 to 7) LM/RL	7 sizes (1 to 7) 4 thicknesses (9 to 12mm)
UNI SCORE Full-PE Tibial implant		7 sizes (1 to 7) 5 thicknesses (8 to 12 mm)

Implant UNI SCORE

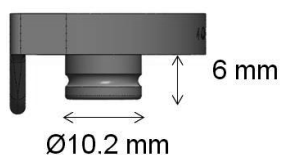
Product line

▸ All implants available in 1mm increments :



	S1	S2	S3	S4	S5	S6	S7
Distance M/L (mm)	20.8	22.6	24.4	26.2	28	29.8	31.6
Distance A/P (mm)	35	38	41	44	47	50	53

▸ Peg dimensions (same for all sizes) :



Implant UNI SCORE

Component compatibility

▶ Femoral components and tibial baseplates:

- All the femoral component UNI SCORE can be combined with any of the tibial insert for tibial baseplates for fixed bearing insert cementless and any full-PE tibial implant sizes.

▶ Tibial baseplates for fixed bearing inserts and Full-PE implants:

- The UNI SCORE tibial inserts and fixation screw \varnothing 6.5 mm must be used only with the UNI SCORE tibial baseplate for fixed bearing insert cementless right medial/ left lateral (RM/LL) and left medial/ right lateral (LM/RL).

- The fixed bearing insert must be exactly the same size as the tibial baseplate for fixed insert cementless.

Surgical Technique Overview

1

Placing the Extra-medullary guide



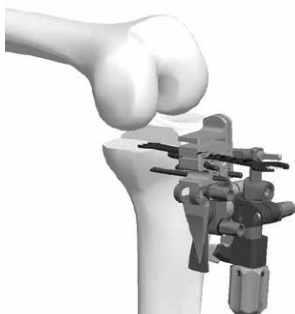
2

Placing the joint line gauge and adjustments



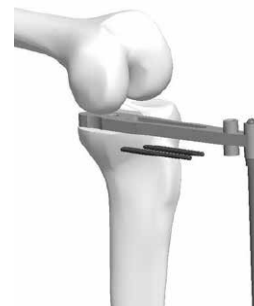
3

Fixing the resection guide and performing the cuts



4

Verification of FLEXION gap



Surgical Technique Overview

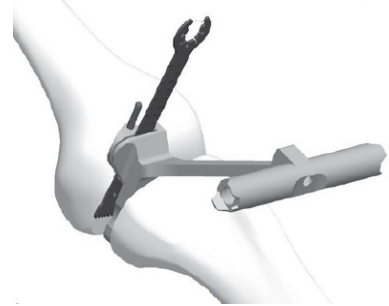
5

Verification of
EXTENSION gap



6

Distal resection guide
put into place and cut
made



7

Placing the posterior
femoral resection guide and
performing the cuts



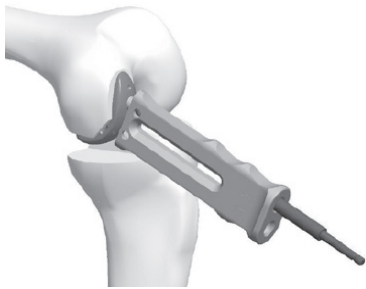
8

Placing the trial
implants and joint
tested



Surgical Technique Overview

9
**2 femoral pegs
preparation**



10
**Sagittal fin
preparation**



11
**Cementless tibial baseplate
to fixed bearing insert : Peg
preparation**



Pre-operative planning

▶ Radiological assessment:

- Long-leg view with patient standing on single leg,
- A/P Schuss view (size and depth of depression on tibial plateau),
- A/P varus/valgus stress views (shows if deformity can be reduced),
- A/P standing view,
- Lateral standing view (reveals ACL status),
- 30° axial view (confirms condition of patellofemoral joint).

▶ Radiographs and templates are used to evaluate the following:

- Tibial epiphyseal varus,
- Tibial slope,
- Height of tibial cut,
- Estimate tibiofemoral mechanical axis once UKA is put into place,
- Identify anterior osteophytes that need to be resected.

NOTE

The provided templates have a 1:1 scale. Make sure the template scale matches the X-ray scale.

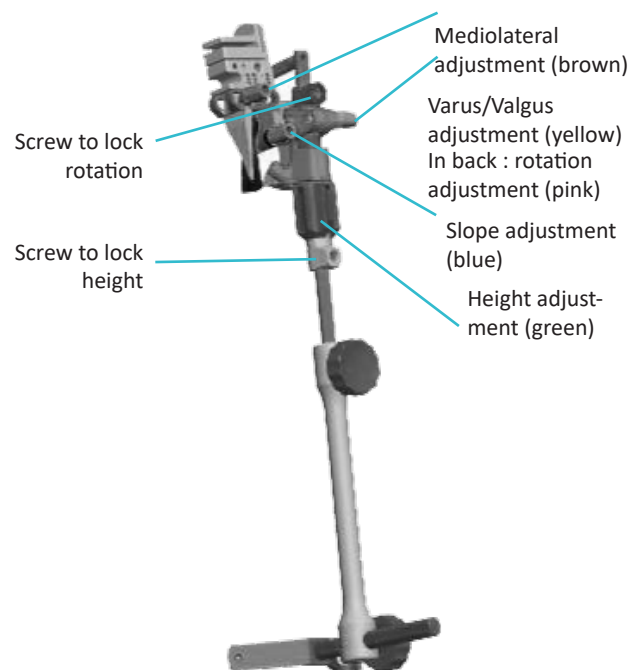
REMINDER

This surgical technique describes how to use the instrumentation properly.
The surgeon is fully responsible for choosing the surgical approach and technique.

1 Extra-medullary tibial guide

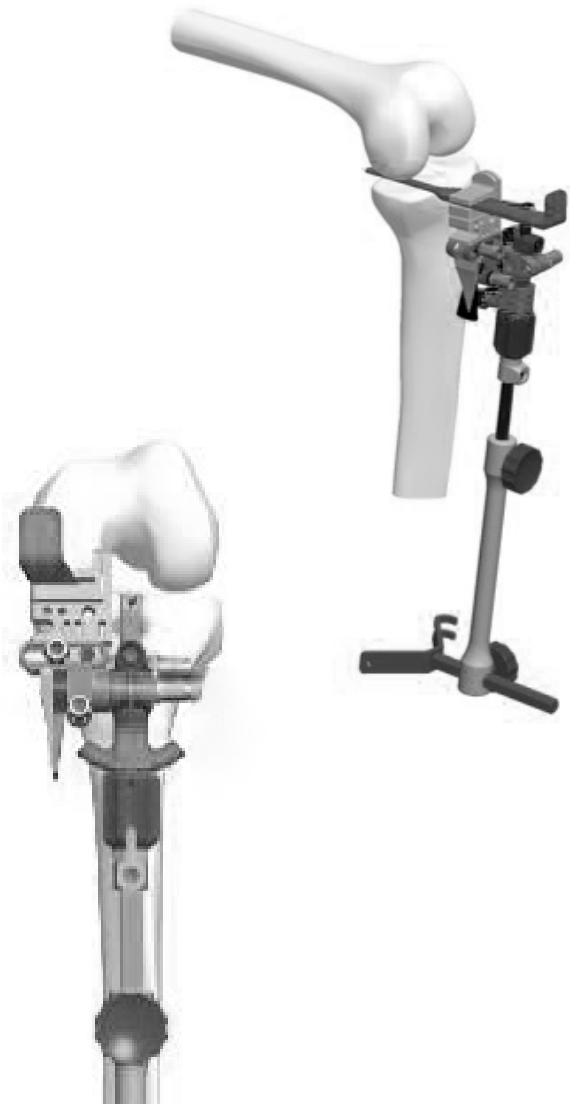
Preparation :

- After the joint has been opened, the tibial plateau must be well exposed.
- Flex the knee 90°.
- Remove any medial osteophytes.
- See page 27 for assembly on back table.
- Assemble the Extramedullary slide bar with the Unicompartimental tibial guide (right or left) and the Extramedullary alignment column Ø8 mm
- Assemble the Malleolar clamp on the alignment column.
- Adjust the varus/valgus (yellow knob) according to the pre-operative plan. The varus/valgus angle is set relative to the Extramedullary alignment frame.
- Set the resection height to 8 mm (green knob). This setting can be readjusted later on as needed.
- Loosen the slope locking screw (blue knob), mediolateral adjustment screw (brown knob), rotation adjustment screw (pink knob), and the height and rotation locking screws.



1 Extra-medullary tibial guide

Placement of the Extra-medullary :



- ▶ Position the alignment frame and adjust it in the frontal and sagittal planes.
- ▶ Secure the entire construct using the Collared K-wire $\varnothing 4$ Length 100 mm and the Pin Driver AO or Universal quick release adaptor for pin. The fixation area is located 0.5 cm below the anterior edge of the tibia and centred over the intercondylar eminence (medial side of tibial tuberosity). Reflect the patellar tendon and pierce through it if needed.
- ▶ Loosen the two locking screws and insert the Short or Long joint line gauge, making sure it rests on the anterior and posterior edges of the tibial plateau. Flexing the knee to 30° will reveal any wear-related laxity and make it easier to insert the gauge.
- ▶ Tighten the two locking screws, slope locking screw, mediolateral adjustment screw and rotation adjustment screw using the H5 Screwdriver.

NOTE

Use the joint line gauge (short or long) that touches both the anterior and posterior edges without abutting against the joint capsule. Use the Curved joint line gauge for lateral UKA cases. Its curvature allows it to bend around the convexity of the joint surface.

1 Extra-medullary tibial guide

Adjustments to the tibial resection guide:

- Remove the Joint line gauge and flex the knee 90°.
- The slope value (in blue) is shown on the graduated scale. It must be positioned so the needle is over the 0° value. This corresponds to a 0° slope relative to the position of the gauge in the sagittal plane (resulting position when gauge rests on the anterior and posterior edges of the tibial plateau).
- Loosen the blue slope screw with the H5 Screwdriver. Set the needle to the desired angle (2° increments) and tighten the screw.
- Loosen the rotation locking screw and set the resection height to ± 8 mm using height adjustment screw (green knob). Re-tighten the rotation locking screw.



- Set the mediolateral position (brown knob) and rotation (pink knob) of the sagittal cut; use the Narrow resection gauge as needed to pinpoint the location.
- Lock the mediolateral position of the tibial resection guide.

1 Extra-medullary tibial guide

Adjustments to the tibial resection guide:

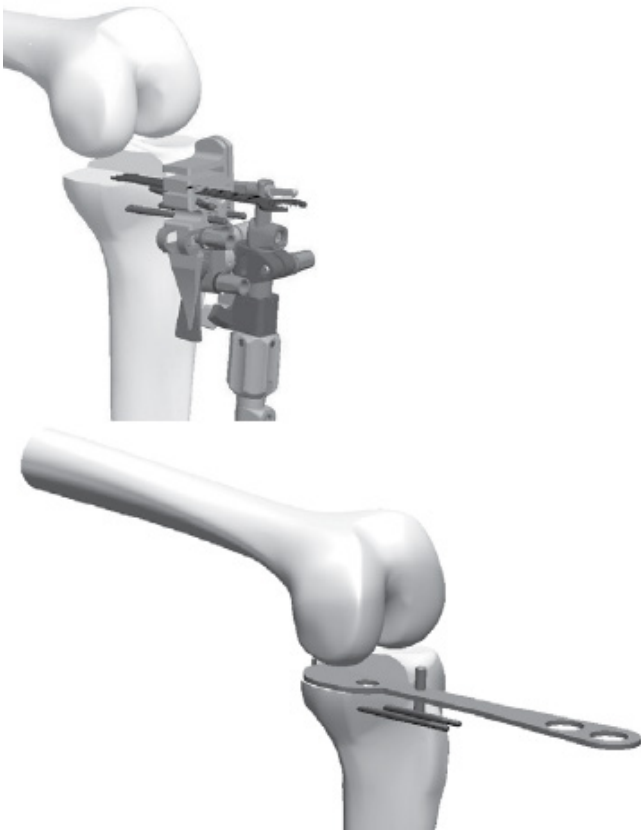


- Verify the thickness of the bone cut with the Narrow resection gauge.
- If needed, the resection height can be further adjusted (green knob) after loosening only the rotation locking screw.
- Insert two Headless pins length 80 mm into the holes marked 'O' using a surgical motorised hand-piece and Universal quick release adaptor for pin or Pin Driver AO.
- Insert a Headed pin length 70 mm (oblique axis) to stabilise the resection guide.

NOTE

A Femoral probe for unicompartmental tibial guide can be used to adjust the tibial resection height: slide the probe onto the resection guide until it touches the femoral component.

2 Tibial resection



- ▶ Perform the tibial cut using the Narrow AMPLITUDE saw blade specific to the motorised hand-piece.
- ▶ Remove the headed pin with the Pin extractor.
- ▶ Remove the Collared K-wire Ø4 Length 100 mm with the motorised hand-piece. Loosen the adjustment thumb knobs.
- ▶ Slide the resection guide off the headless pins, but leave the pins in place in case recutting is necessary.
- ▶ Determine the size of the tibia using the Trial baseplate (size 1 to 7). The hook provides secure fixation on the posterior edge of the tibial plateau.

NOTE

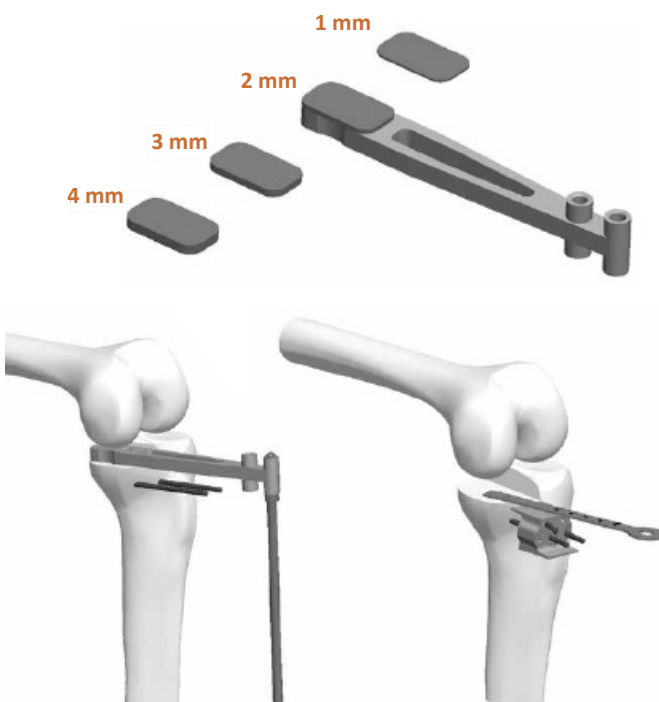
The Unicompartmental flat rasp can be used to refine the tibial cut.

NOTE

If using a Cementless tibial baseplate with fixed insert, the peg position relative to the anterior side of the tibia can be marked with a scalpel.

- ▶ A UNI Trial Fixed Insert (Size 1 to 7 and Thickness 8 to 12 mm) can be used to check the tibial cut. During knee flexion, the anterior side of the trial baseplate must not lift off; if it does, the tibial slope is not sufficient.

3 Verification of flexion and extension gaps



Verification of flexion gaps :

- Flex the knee.
- At this point, the gaps can be verified using the Spacer handle 8 mm that can be connected with the Extramedullary alignment rods.
- Wedges for spacer (thickness 1, 2, 3 or 4 mm) can be added to the 8 mm spacer to more precisely set the ligament tension and determine the height of the tibial insert.
- If the anterior side of the baseplate lifts off during joint testing (insufficient slope), the tibial cut can be redone while increasing the tibial slope by 2° or 4° with the Unicompartmental tibial resection guide.

NOTE

To increase the tibial slope by 2°, place the Unicompartmental tibial resection guide on the K-wires at '0' (the 'slope 2°' marking must be visible). If the resection height also needs to be increased, set the tibial resection guide on the K-wires at +2 or +4 mm. Make the cut by pushing the blade in the upper side of the guide until it stops. To increase the tibial slope by 4°, place the Unicompartmental tibial resection guide so the 'slope 4°' marking is visible.

Verification of extension gaps :

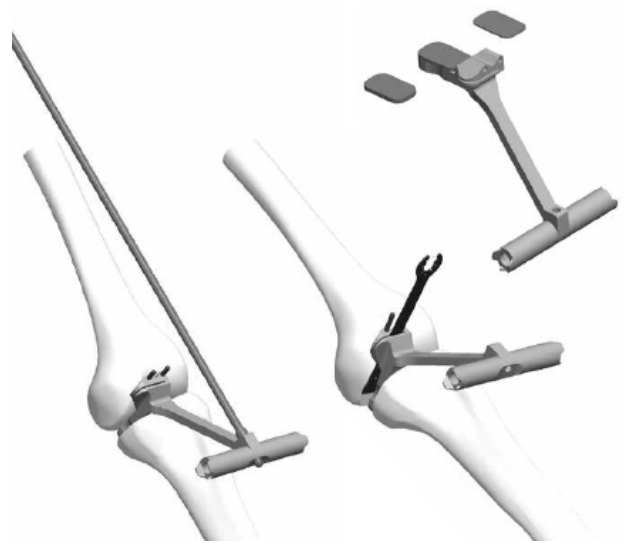
- Extend the knee.
- Use an electrocautery pen to mark the femur where the anterior edge of the tibial plateau is located when the knee is extended.
- Insert the Spacer handle 8 mm and the Wedge for spacer used when the knee was flexed.
- If the femoral component is significantly worn, 1 or 3 mm wedges can be used to fill the distal condylar defect; the wedge is placed between the condyle and spacer.
- Once the extension and flexion gaps are satisfactorily balanced, remove the two headless pins.



4 Femoral resections

Distal cut in extension :

- ▶ If a wedge was used to determine the tibial insert height in the previous step, place it between the distal resection guide and tibial cut.
- ▶ If a wedge was used to make up for femoral wear in the previous step, place it between the distal resection guide and distal condyle.
- ▶ Extend the knee.
- ▶ Place the Distal resection guide L. MED / R. LAT. or R. MED / L. LAT.) against the distal condyle and tibial cut.
- ▶ Check the guide position with the Extramedullary alignment rod.
- ▶ Check the guide position relative to the mark on the anterior edge of the tibial plateau with the knee extended.
- ▶ Insert two Headless pins length 80 mm using a surgical motorised hand-piece and Universal quick release adaptor for pin or Pin Driver AO.
- ▶ Make the distale femoral cut.
- ▶ Remove the two headless pins and the distal resection guide.



4 Femoral resections

Placement of posterior resection and chamfer guide:

- ▶ Flex the knee to 90°.
- ▶ Select the Posterior femoral resection guide that matches the operated side (R. MED/L. LAT. or L. MED/R. LAT.). Use the H5 Screwdriver to place it on the Holding wrench for unicompartmental femoral cutting guide.
- ▶ Determine the best femoral component size using the 7 Posterior femoral resection guide templates (size 1 to 7) and the following to criteria:
 - Make sure there is no anterior overhang by setting the camber; the component must not project beyond the mark that represents the tibia's anterior edge, otherwise the patella could be impinged.
 - Make sure there is good mediolateral coverage and the component is as centred as possible.
 - Ensure the component fully rests on the distal cut and the posterior condyle.
- ▶ Insert the Headless pins Ø 3.2 Length 55 mm using a surgical motorised hand-piece and Universal quick release adaptor for pin or Pin Driver AO.
- ▶ Make the posterior condylar cut (6 mm maximum) and then the chamfer cut.



NOTE

A Spacer Thickness 6 mm for posterior femoral resection guide can be used to facilitate the positioning of the cutting guide: slide it between the tibial cut and Posterior femoral resection guide .

5 Trial implants and joint testing

- Use the Unicompartmental femoral component holder to insert the UNI trial femoral component (the same size as the Posterior femoral resection guide that was used) into place, and then impact it using the Unicompartmental femoral component impactor.
- On the tibial cut, place the UNI Trial Fixed Insert for a FIXED baseplate (full-PE or metal tray)
- Test the stability of the femoral and tibial components.
- Make sure there is a laxity safety margin at approximately 30° knee flexion (takes into account under-correction requirement).



6 Femoral and tibial preparation



- Place the Drilling guide for unicompartmental femoral component peg of the same size as that of the femoral component onto UNI trial femoral component.
- Use the Drill for Unicompartmental Femoral Peg to make pilot holes for the anchoring pegs.
- Resect any posterior osteophytes with the Unicompartmental osteotome; this prevents impingement during hyperflexion.
- Put the appropriate-sized UNI trial baseplate into the knee.
- Set the Tibial fin punch into the slot on the plate, making sure to choose the appropriate side: R.MED / L. LAT or L. MED / R. LAT.
- Impact it completely.
- Remove the trial femoral component.

7 Cementless tibial baseplate for fixed bearing insert



Peg preparation:

- Screw the Guiding barrel for drill bit with stop $\varnothing 10$ mm onto the UNI trial baseplate .
- Place the entire construct back on the tibial cut; hyperflexing the knee and externally rotating the tibia will make insertion easier.
- Prepare the peg hole by drilling with the Drill bit with stop $\varnothing 10$ mm.

NOTE

If it is difficult to tighten and loosen the guiding barrel on the trial baseplate, use the Tibial stem wrench available in the instrumentation set.

Placement of chosen cementless tibial implant without fixation screw:

No fixation screw is needed when using the cementless tibial baseplate for fixed insert:

- Impact the Cementless tibial baseplate (without the insert) using the Unicompartmental baseplate impactor.
- Put the PEEK cap into the hole on the top of the baseplate.
- Based on the thickness validated during the testing phase, select an insert of the same size as the baseplate. Introduce the insert from the posterior side of the baseplate. Slide in the posterior edge of the insert, making sure the attachment notches are completely clear. Impact the anterior edge of the insert with the Unicompartmental baseplate impactor.



NOTE

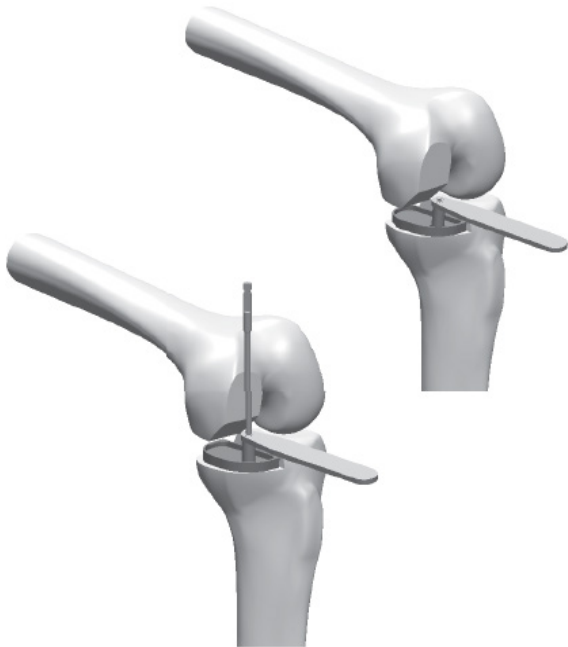
The PEEK cap is packed with the cementless tibial baseplate for fixed insert; it can be used with or without a fixation screw.

NOTE

The PEEK cap, insert and tibial baseplate can be assembled on the back table.

7

Cementless tibial baseplate for fixed bearing insert

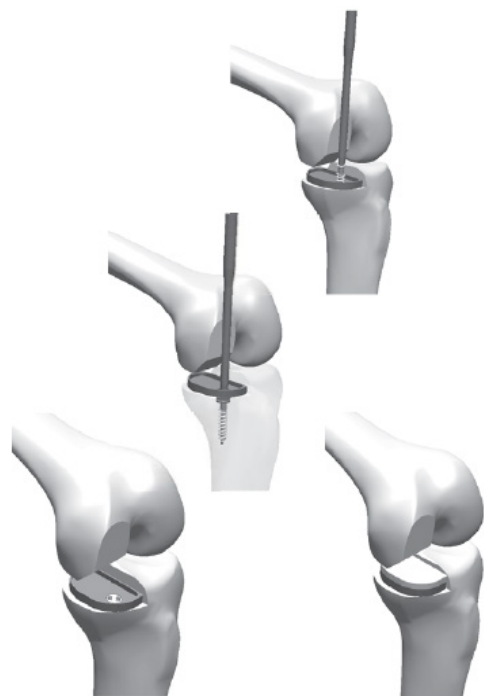


Placement of chosen cementless tibial implant with fixation screw:

If fixation screw is needed with the cementless tibial baseplate for fixed insert :

- Put the Drill guide for drill bit D 3,2 into place; the screw can be angled up to 18°.
- Drill a hole using the Long Drill bit $\varnothing 3.2$ length 145 mm.

- Select a $\varnothing 6.5$ mm fixation screw that matches the hole's depth; screws are available in lengths of 16 mm, 20 mm and up to 55 mm in 5-mm increments.
- Use the Screw holder Clamp to hold the screw and put it through the peg hole.
- Tighten the screw with the Retentive straight screwdriver H3.5 until the bottom of the screw head touches the tibial baseplate.
- Put the PEEK cap into the hole on the top of the baseplate.
- Based on the thickness validated during the testing phase, select the insert of the same size as the baseplate. Slide in the posterior edge of the insert, making sure the attachment notches are completely clear. Impact the anterior edge of the insert with the Unicompartmental baseplate impactor.



NOTE

The PEEK cap is packed with the cementless tibial baseplate for fixed insert; it can be used with or without a fixation screw.

8 Full-PE tibial implant

- Impact the full-PE tibial implant of the same size and thickness as that validated during the testing phase.

NOTE

Follow the instructions provided with the surgical cement.

Please do not use cement with a cementless implant.



9 Femoral component



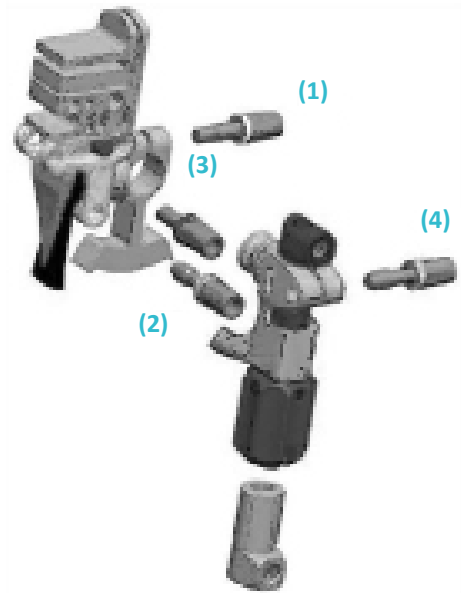
- ▶ Put the femoral component (cemented or cementless) in the Unicompartamental femoral component holder.
- ▶ Flex the knee 90° and impact the component.
- ▶ Finish impacting with the Unicompartamental femoral component impactor.

NOTE

If using a cemented femoral component, follow the instructions provided with the surgical cement.

Appendix A

Unicompartmental tibial guide assembly

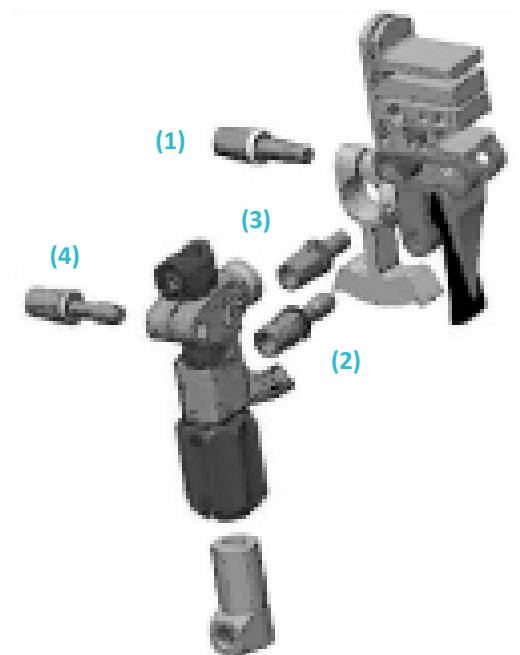


Medial left / Lateral right

- Fully loosen the yellow screw (1).
- Remove the tibial resection guide from its support.
- Flip the tibial resection guide 180° and secure it to its support (on the right), then put the yellow screw back into place (1).
- Loosen the blue screw (2) and put it back on the anterior side of the guide (accessible to surgeon).
- Loosen the brown screw (3) and put it back on the anterior side of the guide (accessible to surgeon).
- Loosen the pink screw (4) and put it back on the same side as the yellow screw (1).

Medial right / Lateral left

- Fully loosen the yellow screw (1).
- Remove the tibial resection guide from its support.
- Flip the tibial resection guide 180° and secure it to its support (on the left), then put the yellow screw back into place (1).
- Loosen the blue screw (2) and put it back on the anterior side of the guide (accessible to surgeon).
- Loosen the brown screw (3) and put it back on the anterior side of the guide (accessible to surgeon).
- Loosen the pink screw (4) and put it back on the same side as the yellow screw (1).



Unicompartmental Knee System



UNI SCORE- Cementless tibial baseplate for fixed-bearing insert



UNI SCORE- Cemented Full-PE implant

Extraction

▶ If the cementless UNI SCORE baseplate with peg and fixation screw have to be revised:

- Remove the femoral component using bone chisels.
- Pry out the insert by placing an osteotome between the insert and baseplate.
- Remove the PEEK stopper with forceps (e.g. Kocher forceps).
- Loosen the screw using the H3.5 screwdriver with self-retaining tip.
- Remove the tibial baseplate using bone chisels.

▶ If the femoral component needs to be removed, a slap-hammer can be assembled with the unicompartamental femoral component holder available upon request :

- After making sure the femoral component is no longer anchored to the bone, remove the component.

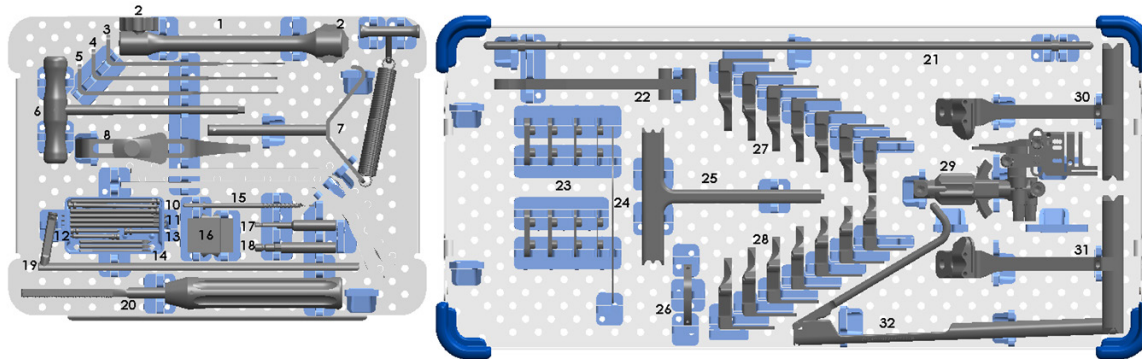
Instrumentation

- ▶ The UNI SCORE instrumentation for conventional surgery consists of two trays that have two layers each:
 - One (1) set for tibial and femoral resection
 - One (1) set for tibial/femoral preparation and trials
- ▶ In addition :
 - Sterile narrow saw blades

Instrumentation

Tibial and femoral resection set

2-02999147

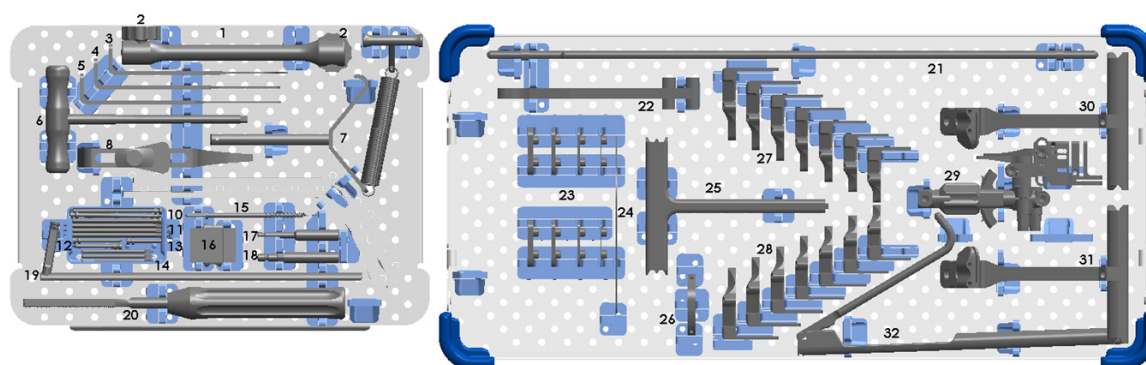


Rep	Name	Product No.	Qty
1	Extramedullary alignment column Ø8 mm	2-0218400	1
2	Wheel for extramedullary Alignment column	2-0201800	2
3	Curved joint line gauge	2-0218503	1
4	Short joint line gauge	2-0218502	1
5	Long joint line gauge	2-0218501	1
6	H5 Screwdriver	2-0200800	1
7	Malleolar clamp	2-0201600	1
8	Femoral probe for unicompartmental tibial guide	2-0218700	1
10	Headed pin length 70 mm	2-0201302	3
11	Headless pin length 80 mm	2-0201400	3
12	Headed pin length 38 mm	2-0201304	2
13	Headed pin length 30 mm	2-0201301	1
14	Headless pin Ø 3.2 Length 55 mm	2-0201401	3
15	Collared K-wire Ø4 Length 100 mm	2-0218300	1
16	Unicompartmental tibial resection guide	2-0221300	1
17	Pin Driver AO	2-0201200	1
18	Universal quick release adaptor for pin	2-0201100	1
19	Extramedullary slide bar	2-0218200	1
20	Unicompartmental flat rasp	2-0221400	1
21	Extramedullary alignment rod	2-0200600	2
22	Spacer handle	2-0218800	1
23	Wedge thickness 1 mm for spacer	2-0218901	2
23	Wedge thickness 2 mm for spacer	2-0218902	2

Instrumentation

Tibial and femoral resection set

2-02999147



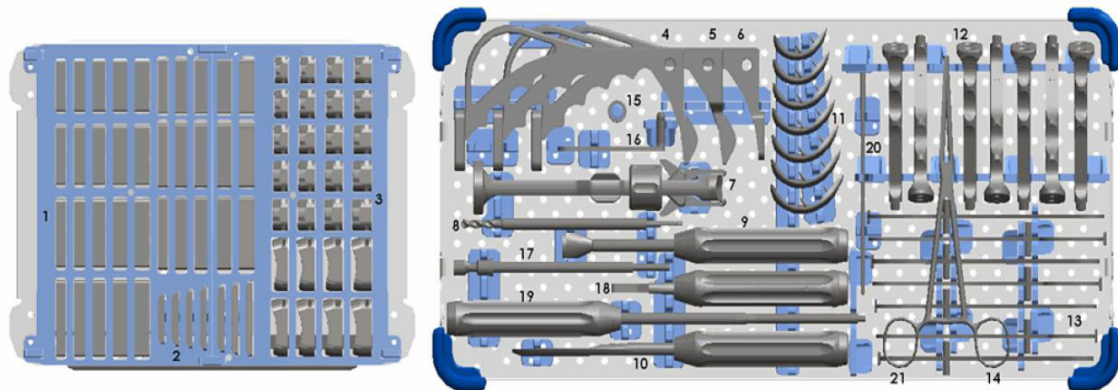
Rep	Name	Product No.	Qty
23	Wedge thickness 3 mm for spacer	2-0218903	2
23	Wedge thickness 4 mm for spacer	2-0218904	2
24	Narrow resection gauge	2-0218600	1
25	Holding wrench for unicompartmental femoral cutting guide	2-0221000	1
26	Spacer Thickness 6 mm for posterior femoral resection guide	2-0223100	1
27	Posterior femoral resection guide Size 1 R. MED/L. LAT.	2-0219201	1
27	Posterior femoral resection guide Size 2 R. MED/L. LAT.	2-0219202	1
27	Posterior femoral resection guide Size 3 R. MED/L. LAT.	2-0219203	1
27	Posterior femoral resection guide Size 4 R. MED/L. LAT.	2-0219204	1
27	Posterior femoral resection guide Size 5 R. MED/L. LAT.	2-0219205	1
27	Posterior femoral resection guide Size 6 R. MED/L. LAT.	2-0219206	1
27	Posterior femoral resection guide Size 7 R. MED/L. LAT.	2-0219207	1
28	Posterior femoral resection guide Size 1 L. MED/R. LAT.	2-0219101	1
28	Posterior femoral resection guide Size 2 L. MED/R. LAT.	2-0219102	1
28	Posterior femoral resection guide Size 3 L. MED/R. LAT.	2-0219103	1
28	Posterior femoral resection guide Size 4 L. MED/R. LAT.	2-0219104	1
28	Posterior femoral resection guide Size 5 L. MED/R. LAT.	2-0219105	1
28	Posterior femoral resection guide Size 6 L. MED/R. LAT.	2-0219106	1
28	Posterior femoral resection guide Size 7 L. MED/R. LAT.	2-0219107	1
29	Unicompartmental tibial guide	2-0218100	1
30	Distal resection guide L. MED / R. LAT.	2-0219001	1
31	Distal resection guide R. MED / L. LAT.	2-0219002	1
32	Pin extractor	2-0201500	1



Instrumentation

Tibial / Femoral preparation and trial set

2-02999147

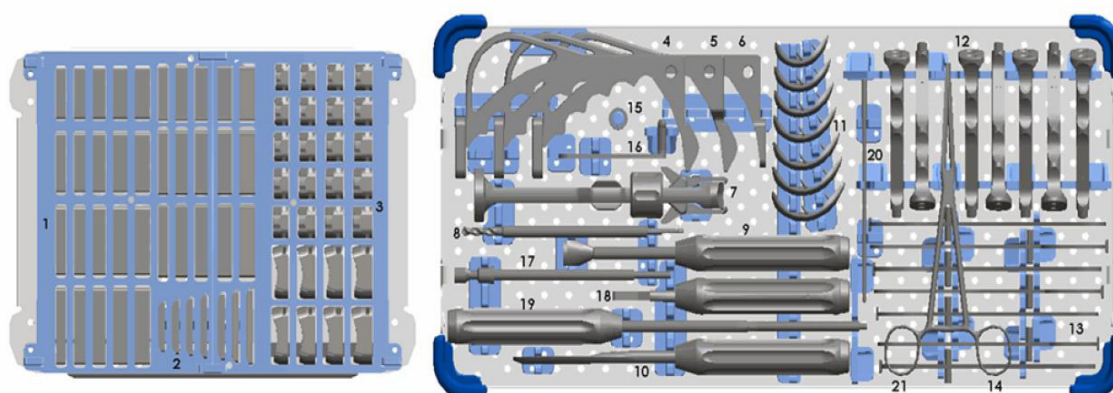


Rep	Name	Product No.	Qty
1	UNI Trial Fixed Insert Size 1 Thickness 8	2-0220111	1
1	UNI Trial Fixed Insert Size 1 Thickness 9	2-0220121	1
1	UNI Trial Fixed Insert Size 1 Thickness 10	2-0220131	1
1	UNI Trial Fixed Insert Size 1 Thickness 11	2-0220141	1
1	UNI Trial Fixed Insert Size 1 Thickness 12	2-0220151	1
1	UNI Trial Fixed Insert Size 2 Thickness 8	2-0220112	1
1	UNI Trial Fixed Insert Size 2 Thickness 9	2-0220122	1
1	UNI Trial Fixed Insert Size 2 Thickness 10	2-0220132	1
1	UNI Trial Fixed Insert Size 2 Thickness 11	2-0220142	1
1	UNI Trial Fixed Insert Size 2 Thickness 12	2-0220152	1
1	UNI Trial Fixed Insert Size 3 Thickness 8	2-0220113	1
1	UNI Trial Fixed Insert Size 3 Thickness 9	2-0220123	1
1	UNI Trial Fixed Insert Size 3 Thickness 10	2-0220133	1
1	UNI Trial Fixed Insert Size 3 Thickness 11	2-0220143	1
1	UNI Trial Fixed Insert Size 3 Thickness 12	2-0220153	1
1	UNI Trial Fixed Insert Size 4 Thickness 8	2-0220114	1
1	UNI Trial Fixed Insert Size 4 Thickness 9	2-0220124	1
1	UNI Trial Fixed Insert Size 4 Thickness 10	2-0220134	1
1	UNI Trial Fixed Insert Size 4 Thickness 11	2-0220144	1
1	UNI Trial Fixed Insert Size 4 Thickness 12	2-0220154	1
1	UNI Trial Fixed Insert Size 5 Thickness 8	2-0220115	1
1	UNI Trial Fixed Insert Size 5 Thickness 9	2-0220125	1
1	UNI Trial Fixed Insert Size 5 Thickness 10	2-0220135	1
1	UNI Trial Fixed Insert Size 5 Thickness 11	2-0220145	1
1	UNI Trial Fixed Insert Size 5 Thickness 12	2-0220155	1

Instrumentation

Tibial / Femoral preparation and trial set

2-02999147



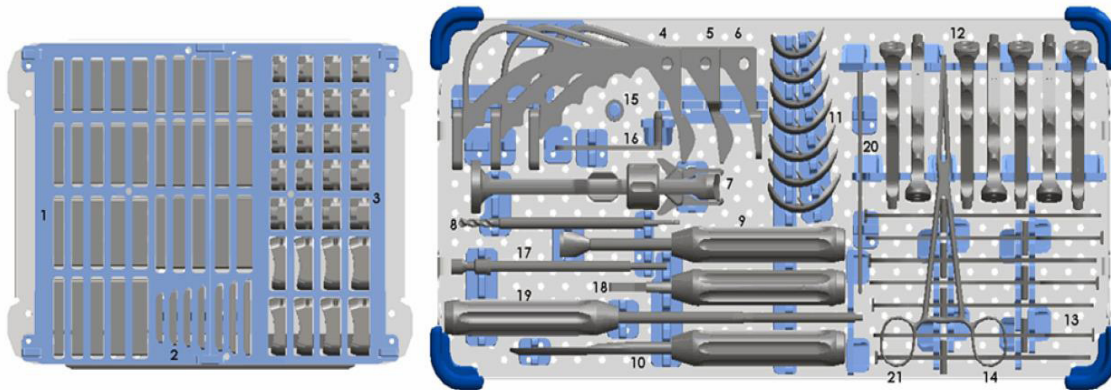
Rep	Name	Product No.	Qty
1	UNI Trial Fixed Insert Size 6 Thickness 8	2-0220116	1
1	UNI Trial Fixed Insert Size 6 Thickness 9	2-0220126	1
1	UNI Trial Fixed Insert Size 6 Thickness 10	2-0220136	1
1	UNI Trial Fixed Insert Size 6 Thickness 11	2-0220146	1
1	UNI Trial Fixed Insert Size 6 Thickness 12	2-0220156	1
1	UNI Trial Fixed Insert Size 7 Thickness 8	2-0220117	1
1	UNI Trial Fixed Insert Size 7 Thickness 9	2-0220127	1
1	UNI Trial Fixed Insert Size 7 Thickness 10	2-0220137	1
1	UNI Trial Fixed Insert Size 7 Thickness 11	2-0220147	1
1	UNI Trial Fixed Insert Size 7 Thickness 12	2-0220157	1
2	UNI trial baseplate - Size 1 to 7	2-0220001 to 2-0220007	1
3	Unicompartmental Tibial Trial Mobile Insert Size 1 Thickness 9	2-0220221	1
3	Unicompartmental Tibial Trial Mobile Insert Size 1 Thickness 10	2-0220231	1
3	Unicompartmental Tibial Trial Mobile Insert Size 1 Thickness 11	2-0220241	1
3	Unicompartmental Tibial Trial Mobile Insert Size 1 Thickness 12	2-0220251	1
3	Unicompartmental Tibial Trial Mobile Insert Size 2 Thickness 9	2-0220222	1
3	Unicompartmental Tibial Trial Mobile Insert Size 2 Thickness 10	2-0220232	1
3	Unicompartmental Tibial Trial Mobile Insert Size 2 Thickness 11	2-0220242	1
3	Unicompartmental Tibial Trial Mobile Insert Size 2 Thickness 12	2-0220252	1
3	Unicompartmental Tibial Trial Mobile Insert Size 3 Thickness 9	2-0220223	1
3	Unicompartmental Tibial Trial Mobile Insert Size 3 Thickness 10	2-0220233	1



Instrumentation

Tibial / Femoral preparation and trial set

2-02999147

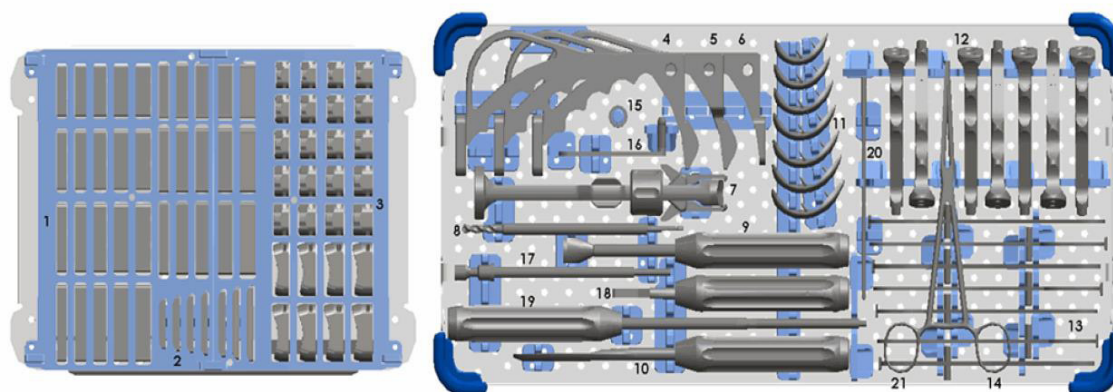


Rep	Name	Product No.	Qty
3	Unicompartmental Tibial Trial Mobile Insert Size 3 Thickness 11	2-0220243	1
3	Unicompartmental Tibial Trial Mobile Insert Size 3 Thickness 12	2-0220253	1
3	Unicompartmental Tibial Trial Mobile Insert Size 4 Thickness 9	2-0220224	1
3	Unicompartmental Tibial Trial Mobile Insert Size 4 Thickness 10	2-0220234	1
3	Unicompartmental Tibial Trial Mobile Insert Size 4 Thickness 11	2-0220244	1
3	Unicompartmental Tibial Trial Mobile Insert Size 4 Thickness 12	2-0220254	1
3	Unicompartmental Tibial Trial Mobile Insert Size 5 Thickness 9	2-0220225	1
3	Unicompartmental Tibial Trial Mobile Insert Size 5 Thickness 10	2-0220235	1
3	Unicompartmental Tibial Trial Mobile Insert Size 5 Thickness 11	2-0220245	1
3	Unicompartmental Tibial Trial Mobile Insert Size 5 Thickness 12	2-0220255	1
3	Unicompartmental Tibial Trial Mobile Insert Size 6 Thickness 9	2-0220226	1
3	Unicompartmental Tibial Trial Mobile Insert Size 6 Thickness 10	2-0220236	1
3	Unicompartmental Tibial Trial Mobile Insert Size 6 Thickness 11	2-0220246	1
3	Unicompartmental Tibial Trial Mobile Insert Size 6 Thickness 12	2-0220256	1
3	Unicompartmental Tibial Trial Mobile Insert Size 7 Thickness 9	2-0220227	1
3	Unicompartmental Tibial Trial Mobile Insert Size 7 Thickness 10	2-0220237	1
3	Unicompartmental Tibial Trial Mobile Insert Size 7 Thickness 11	2-0220247	1
3	Unicompartmental Tibial Trial Mobile Insert Size 7 Thickness 12	2-0220257	1
4	Tibial fin punch R.MED / L. LAT	2-0219400	1
5	Tibial fin punch L. MED / R. LAT	2-0219500	1
6	Unicompartmental baseplate impactor	2-0219600	1
7	Unicompartmental femoral component holder	2-0220500	1
8	Drill for Unicompartmental Femoral Peg	2-0218000	1
9	Unicompartmental femoral component impactor	2-0220400	1
10	Unicompartmental osteotome	2-0221500	1
11	UNI trial femoral component – Size 1	2-0219701	1
11	UNI trial femoral component – Size 2	2-0219702	1

Instrumentation

Tibial / Femoral preparation and trial set

2-02999147

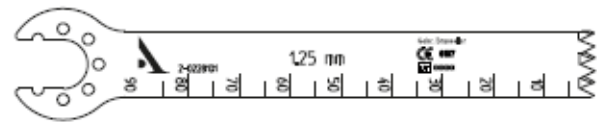


Rep	Name	Product No.	Qty
11	UNI trial femoral component – Size 3	2-0219703	1
11	UNI trial femoral component – Size 4	2-0219704	1
11	UNI trial femoral component – Size 5	2-0219705	1
11	UNI trial femoral component – Size 6	2-0219706	1
11	UNI trial femoral component – Size 7	2-0219707	1
12	Drilling guide for unicompartmental femoral component peg – Size 1 to 7	2-0219801 to 2-0219807	1
13	Trial baseplate – Size 1 to 7	2-0230401 to 2-0230407	1
14	Holding clamp	2-0220300	1
15	Guiding barrel for stop drill bit Ø10 mm	2-0230000	1
16	Drill guide for drill bit D 3,2	2-0230200	1
17	Drill bit with stop Ø10 mm	2-0230100	1
18	Tibial stem Wrench	2-0205500	1
19	Retentive straight screwdriver H3.5	2-0230500	1
20	Long Drill bit Ø3.2 length 145 mm	2-0102400	1
21	Screw holder Clamp	2-0102800	1

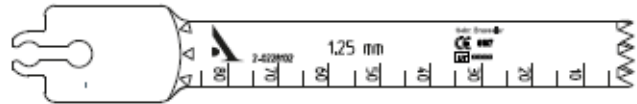
Instrumentation

Narrow saw blades

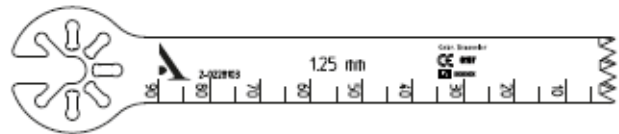
SYNTHES AO / SODEM narrow saw blade
Sterile Product No. 2-0228101

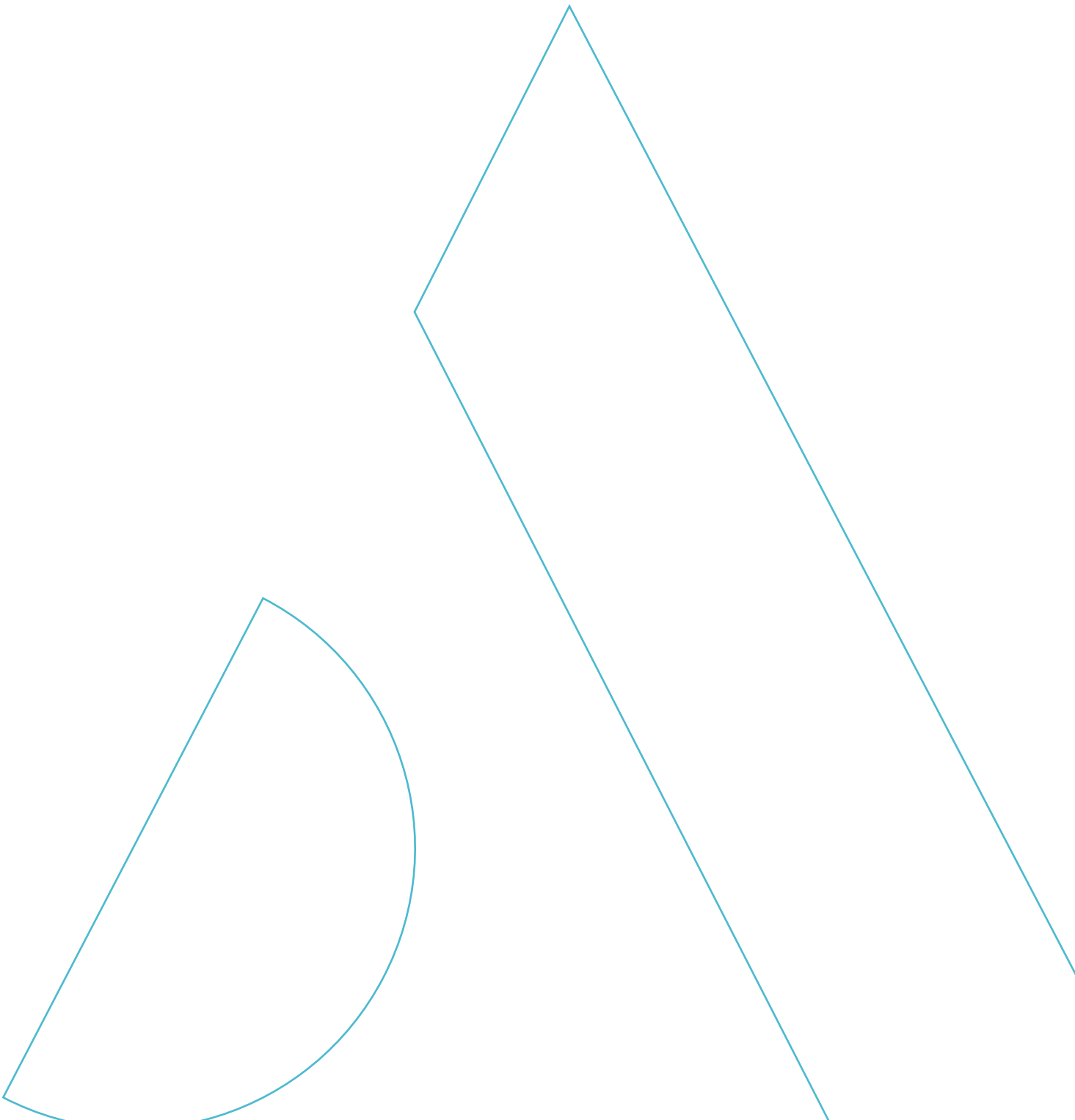


STRYKER narrow saw blade
Sterile Product No. 2-022810



ZIMMER / HALL / LINVATEC narrow saw blade
Sterile Product No. 2-0228103







Customer Service-France:

Porte du Grand Lyon,
01700 Neyron, France
Phone: +33 (0)4 37 85 19 19
Fax: +33 (0)4 37 85 19 18
E-mail: amplitude@amplitude-ortho.com

Customer Service-Export:

11, cours Jacques Offenbach. ZA Mozart 2
26000 Valence, France
Phone: +33 (0)4 75 41 87 41
Fax: +33 (0)4 75 41 87 42
E-mail : amplitude@amplitude-ortho.com

www.amplitude-ortho.com

Reference : TO.G.016/EN/A

