

# SPHERIC<sup>®</sup>

---

Bipolar Cup



Surgical Technique  
Conventional



AMPLITUDE<sup>®</sup>



# SPHERIC<sup>®</sup> BIPOLAR CUP: RANGE



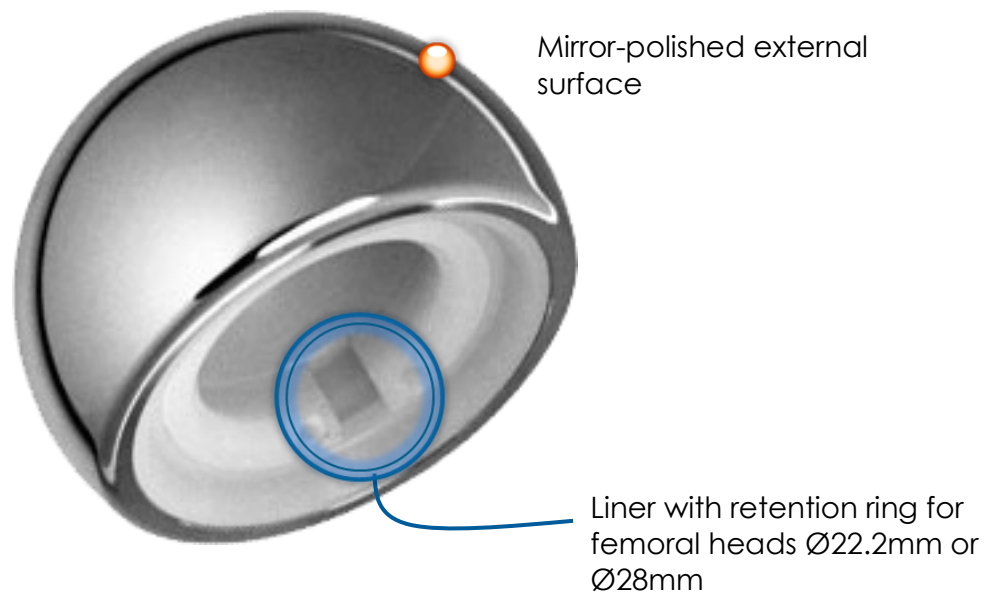
SPHERIC <sup>®</sup>		Ø40mm	Ø42mm	Ø44mm	Ø46mm	Ø48mm	Ø50mm	Ø52mm	Ø54mm	Ø56mm	Ø58mm
Liner Ø22,2mm											
Liner Ø28mm											

10 sizes available with 2 mm increment: from 40/22 to 48/28

# SPHERIC<sup>®</sup> BIPOLAR CUP

---

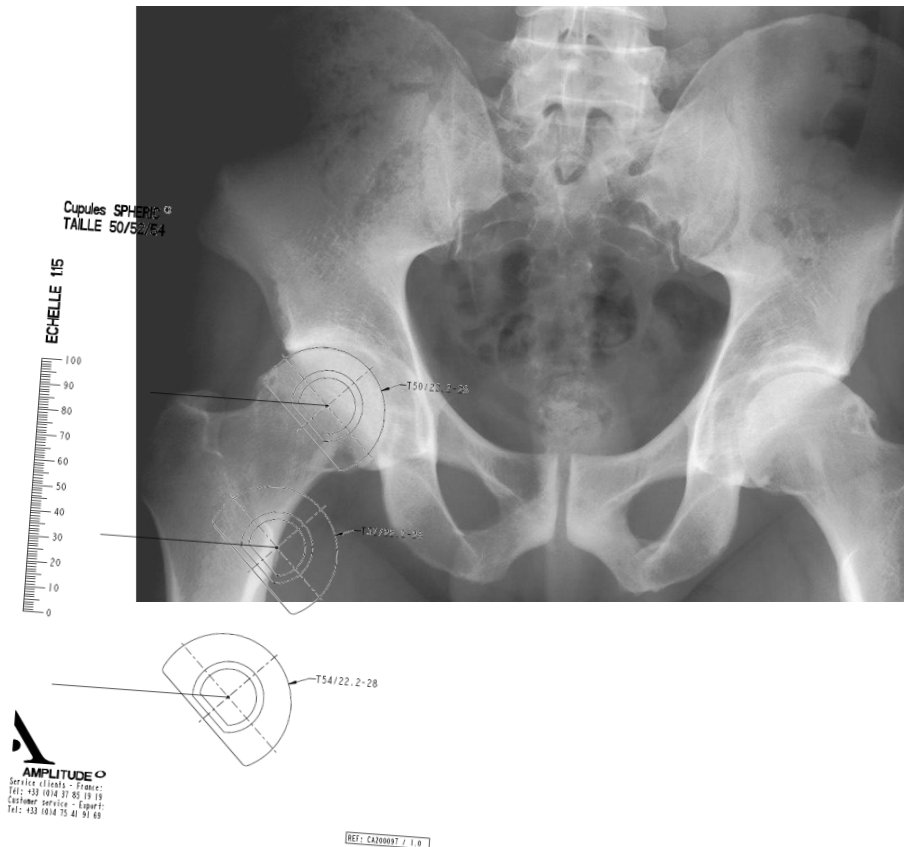
Bipolar cup for intermediate hip prosthesis.



**Material:** Stainless steel and polyethylene UHMWPE

# SPHERIC<sup>®</sup> BIPOLAR CUP

## PREOPERATIVE PLANNING



Using the radiographs and templates:

- Determine the joint centre
- Determine the cup size

### NOTE

The provided templates have a 1:15 scale, but are also available with other scaling upon request.

### REMINDER

The purpose of this surgical technique description is to provide instructions on how to use the instrumentation properly. The surgeon is fully responsible for choosing and performing the approach and surgical technique.

# SPHERIC<sup>®</sup> BIPOLAR CUP

---

## SURGICAL APPROACH

The bipolar cup SPHERIC<sup>®</sup> can be implanted through any of the standard surgical approaches used for hip surgery.

## FEMORAL NECK CUT

Once arthrotomy is performed, expose the femoral neck. Cut the femoral neck at the desired level and extract the femoral head.

## FEMORAL HEAD MEASUREMENT

Measure the extracted femoral head and assess the bipolar cup diameter needed. If the measurement remains between two diameters, select the smaller one.

## NECK LENGTH ADJUSTMENT

Follow the surgical technique provided with the femoral stem being used .

## TRIALS

Use the trial cups and universal handle to verify if the SPHERIC<sup>®</sup> cup size that was chosen based on femoral head measurement is correct. Select the size that best fills the acetabulum.

## NECK LENGTH AND HEAD SIZE SELECTION

Select the final SPHERIC<sup>®</sup> bipolar cup of the same size as determined previously and with the desired head diameter: 22, 24mm or 28 mm.

Place the cup on the trial neck for femoral broaches and reduce the joint.

Assess the stability and mobility of the joint. If extra-medullary settings are not satisfying, use a different neck length and repeat the trials.

# SPHERIC<sup>®</sup> BIPOLAR CUP

## FINAL IMPLANT INSERTION



Figure 1

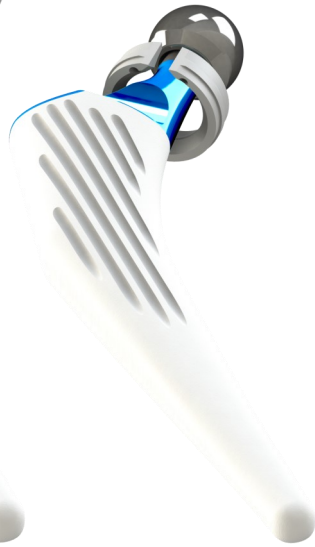


Figure 2



Figure 3



Figure 4

Once the selected femoral stem has been implanted, place the retaining ring around the neck (Figure 1)

Put the selected femoral head in place (Figure 2) according to the instructions provided in the femoral stem's surgical technique.

Place the SPHERIC<sup>®</sup> cup onto the femoral head (Figure 3), and insert the retaining ring into the cup (Figure 4) with the clamp. The small hooks at the tips of the clamp are used to securely hold the ring during insertion.

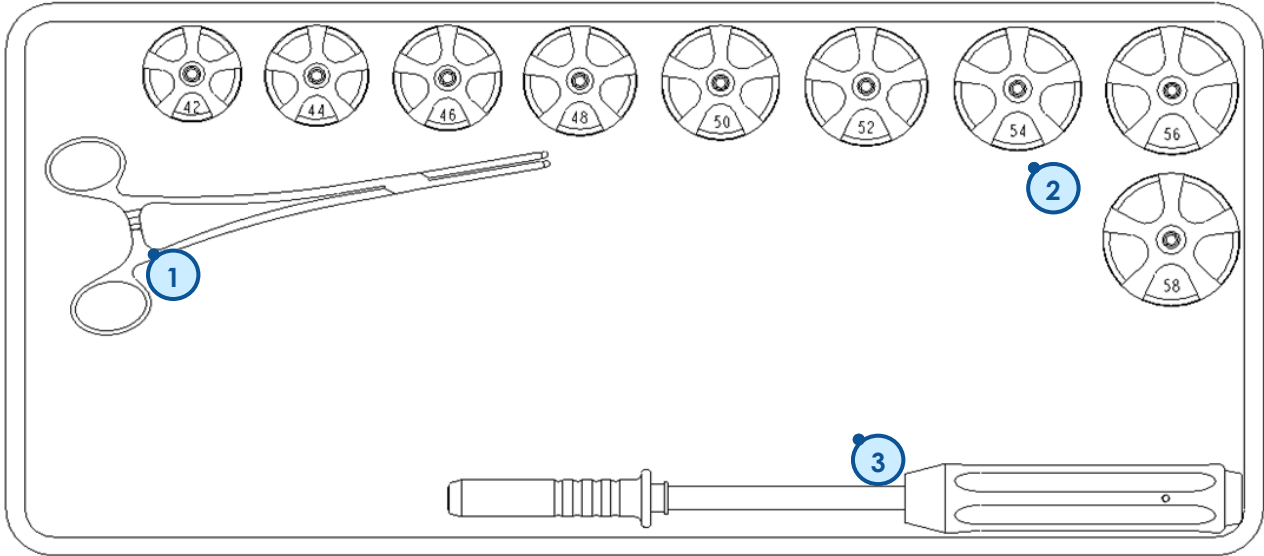
Check the hold of the cup and then reduce the joint .

### NOTE

The two holes on the ring should face the femur.

# INSTRUMENTATION

## SPHERIC<sup>®</sup> INSTRUMENTATION SET



Rep	Description	Reference	Qty
1	Clamp for Locking Ring	2-0104600	1
2	Trial Cup sizes <b>42</b> to <b>58</b>	2-01001 <b>42</b> to 2-01001 <b>58</b>	1 of each
3	Universal handle	2-0101000	1



# NOTES

---

---

---

---

---

---

---

---

---

---

---

---

---

---

---

---

---

---

---

---

---

---

---

---

---

---

---

# NOTES

---

---

---

---

---

---

---

---

---

---

---

---

---

---

---

---

---

---

---

---

---

---

---

---

---

---



*Products availability may vary depending on countries.  
Please check availability with your local representative.*



**Customer Service :**

11, cours Jacques Offenbach. Zone Mozart 2,  
26000 Valence, France

Tel. : +33 (0)4 75 41 87 41

Fax : +33 (0)4 75 41 87 42

E-mail : [amplitude@amplitude-ortho.com](mailto:amplitude@amplitude-ortho.com)

Internet : [www.amplitude-ortho.com](http://www.amplitude-ortho.com)